

# VD84 - Compact Vacuum Meter Pirani, Datalogger

Absolute Pressure 100 to  $1 \times 10^{-3}$  mbar



## VD84 at a glance

- Pirani sensor with durable, elastic helix filament
- Stable measuring values due to optimized temperature compensation
- External, detachable sensor with stainless steel small flange DN 16 ISO-KF or 1/8" NPT male thread, connected by spiral cable (1.20 m)
- Excellent reproducibility
- Integrated metal facing protects the sensor against contamination like oil vapours or solvent vapours
- Gas type correction factors for correct pressure readings
- UHV suitable due to metal sealed stainless steel measuring cell (He leakage rate  $<5e-10$  mbar l / s)
- Operation with battery or power supply for mobile use and fixed installation
- Integrated data logger for up to 2000 measurement values
- Pressure units mbar, Torr, hPa
- USB interface for easy push button data transfer to PCs, but no PC connection is necessary during measurements

# VD84 - Compact Vacuum Meter Pirani, Datalogger

Absolute Pressure 100 to  $1 \times 10^{-3}$  mbar



## Technical Data

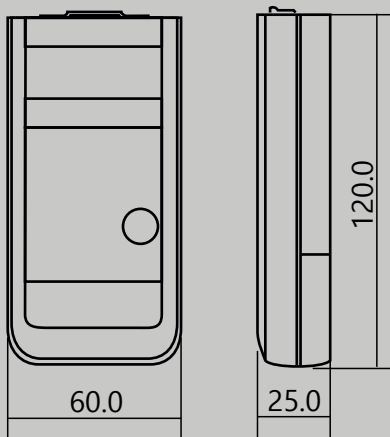
Measurement Principle	Heat conduction Pirani (gas type dependent)
Measurement Range	100 - $1e-3$ mbar (75 - $1e-3$ Torr)
Max. Overload	4 bar absolute
Accuracy	100 – 20 mbar: <30% f.r. (f. reading) 20 - $1e-2$ mbar: 10% f.r. (f. reading)
Resolution	100 - 10 mbar: 1 mbar, < 10 mbar: 2 digits mantissa, 1 decimal place
Measurement Rate	1.0 s
Logging Rate	1 ... 6000 s
Materials With Vac. Contact	Stainl. steel 1.4305, nickel, tungsten, glass
Operating Temperature	+5...+50 °C
Storage Temperature	-20...+60 °C
Power Supply	9 V battery or 12...15 VDC external
Power Consumption	Approx. 110 mW (clocked)
Operating Time	Li-battery: <100h, 6LR61 Alkaline:<40h
Serial Interface	Mini-USB, Type B, 5pin, female, Virtual Com Port protocol
Electrical Connection	Mini-jack 2.5 mm for plug-in power supply
Vacuum Connection	Stainless steel small flange DN16 ISO KF or 1/8" male thread
Display	LCD 12 mm
Protection Class	IP40
Weight	Approx. 200 g (battery included)

# VD84 - Compact Vacuum Meter Pirani, Datalogger

Absolute Pressure 100 to  $1 \times 10^{-3}$  mbar

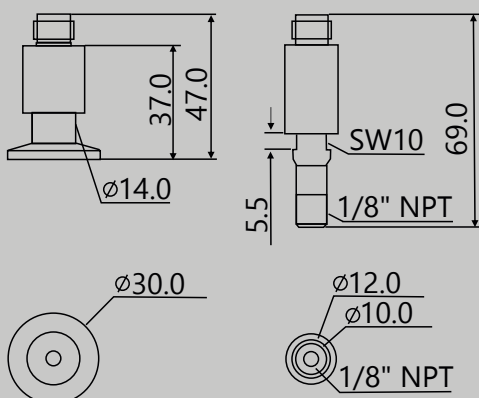


## Dimensions in mm



## Model designations

- VD84/1 Compact vacuum meter with probe type VSP841 DN 16 ISO-KF flange
- VD84/2 Compact vacuum meter with probe type VSP842 1/8" NPT male thread
- VSP841 Passive (external) Pirani sensor DN 16 ISO-KF flange
- VSP842 Passive (external) Pirani sensor 1/8" NPT male thread



## Accessories

- VD8ZUB accessory set consisting of:
  - VD8CASE protective plastic case
  - VD8N4 power supply 15 V, incl. change-over plug, EURO, US, UK, AUS
  - VD8ALK alkaline battery 9 V (vacuum tested);
  - WUSB0002 interface cable, 2 m, USB;
  - VGR VacuGraph™ software

Further accessories as well as detailed information about our product family can be found in our VD8 brochure.