

VCP - Analogline Vacuum Transducer Pirani for Corrosive Media

Absolute Pressure 1000 to 5×10^{-4} mbar



VCP at a glance

- Durable, elastic Pirani helix filament
- Suitable for demanding applications with aggressive media due to platinum rhodium filament
- Patented impulse Pirani with extended measuring range; very high resolution also in the rough vacuum range
- High reliability
- Excellent reproducibility
- Integrated metal facing for protection against contamination like oil vapours or solvent vapours
- Overpressure stability up to 16 bar
- UHV suitable due to metal sealed stainless steel measuring cell (He leakage rate $< 5e-10$ mbar l / s)
- Analog signal output 0-10 V, logarithmic
- Suitable for 2 channel controller VD12
- Precise, digital adjustment to zero pressure and atmosphere at the push of a button
- Stable, reproducible measurement values due to optimized temperature compensation

VCP - Analogline Vacuum Transducer Pirani for Corrosive Media

Absolute Pressure 1000 to 5×10^{-4} mbar



Technical Data

Measuring Principle	Heat conduction (Impulse Pirani), depending on gas type
Measurement Range	1000 - 5×10^{-4} mbar (750 - 5×10^{-4} Torr)
Materials with Vac. Contact	Stainless steel 1.4307, nickel, glass, filament: platinum-rhodium
Max. Overload	10 bar absolute optional: 16 bar abs. (with CERT31P)
Accuracy	1000 - 10 mbar: Approx. 30% from reading 10 - 1×10^{-2} mbar: $\pm 10\%$ from reading
Repeatability	10 - 0,01 mbar: $\pm 5\%$ from reading
Response Time	< 200 ms
Power Supply	15 - 30 VDC
Electrical Connection	Hirschmann, 6 pole, male, lockable
Power Consumption	Max. 1.5 W with 24 VDC supply voltage
Operating Temperature	+5...+60°C
Storage Temperature	-20...+70°C
Bake Out Temperature	Max. 150 °C at the flange (transducer separated from voltage supply)
Output Signal	0 - 10 VDC, load > 10 kW, range 2.2 - 8.5 VDC, log. (1V/decade)
Vacuum Connection	Stainless steel small flange DN 16 ISO-KF
Protection Class	IP40
Weight	120 g

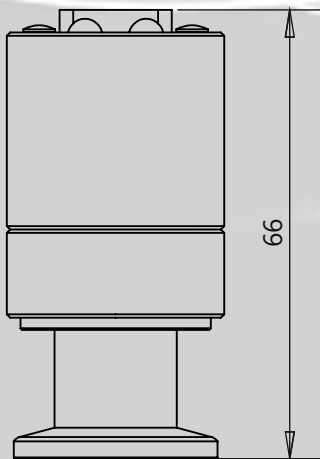
VCP - Analogline Vacuum Transducer Pirani for Corrosive Media

Absolute Pressure 1000 to 5×10^{-4} mbar



Dimensions in mm

VCP63MV



Model designations

- VCP63MV DN 16 ISO-KF connection; output 0 - 10 V logarithmic

Accessories

- CERT31P
overpressure stability 16 bar, incl. testing certificate 3.1
- XB0600002
Mating plug, 6pole, for VCP63MV
- W0606002
Measuring cable, 2m, for VCP63MV, shielded 2 m
- W0606006
Measuring cable, 6m, for VCP63MV, shielded 2 m

Further accessories as well as detailed information about our product family can be found in our Analogline brochure.

