

VCC - Analogline Vacuum Transducer Capacitive

Absolute Pressure 200 to 0.1 mbar



VCC at a glance

- Corrosion resistant aluminum oxide ceramic sensor
- Insensitive against contamination
- Gas type independent measurement
- Excellent accuracy and reliability
- High resolution
- Robust metal housing with protection class IP54
- Analog output signal 4 - 20 mA (two wire), linear
- Vacuum connection over a stainless steel small flange DN 16 ISO-KF with G1/4 female thread
- Suitable for Thyracont 1 channel controller VD6
- Precise, digital adjustment to zero pressure and atmosphere at the push of a button
- Stable, reproducible measurement values due to optimized temperature compensation

VCC - Analogline Vacuum Transducer Capacitive

Absolute Pressure 200 to 0.1 mbar



Technical Data

Measuring Principle	Capacitive, independent of gas type
Measurement Range	200 - 0.1 mbar (150 - 0.1 Torr)
Materials with Vac. Contact	Stainless steel 1.4305, Al ₂ O ₃ ceramic, FKM
Max. Overload	6 bar absolute
Accuracy	± 0.25 % from scale end, nonlinearity, hysteresis, repeatability
Temperature Coefficient	< 0.04 % f.s. / 10 K
Response Time (10...90%)	< 120 ms
Power Supply	9 - 30 VDC
Electrical Connection	M12 A, 5-pole, male, lockable
Power Consumption	< 0.6 W
Operating Temperature	+5...+60°C
Storage Temperature	-40...+70°C
Output Signal	4 - 20 mA, linear, max. load resistor in Ω: (Supply Voltage [V] - 9) / 0.02
Vacuum Connection	Stainless steel small flange DN 16 ISO-KF with G1/4 female thread
Protection Class	IP54
Weight	170 g

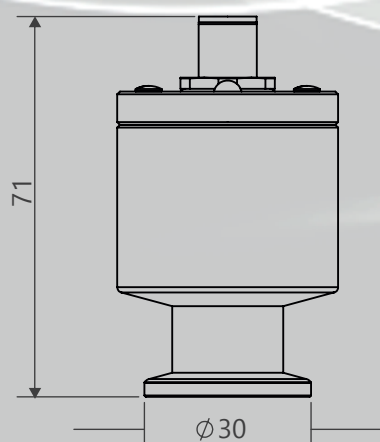
VCC - Analogline Vacuum Transducer Capacitive

Absolute Pressure 200 to 0.1 mbar



Dimensions in mm

VCC200MA4



Model designations

- VCC200MA4
output 4 - 20 mA, DN 16 ISO-KF flange, G1/4 female thread

Accessories

- VD81SW1
Hose nozzle brass, nickel plated
- XB0500004
Mating plug, 5pole for VCC200MA4
- W0509002
Measuring cable for VCC200MA4 with VD6, shielded, 2 m
- W0509006
Measuring cable for VCC200MA4 with VD6, shielded, 6 m

Further accessories as well as detailed information about our product family can be found in our Analogline brochure.

